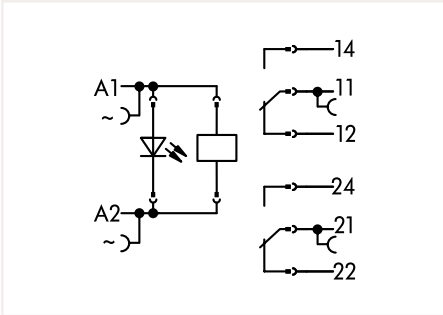
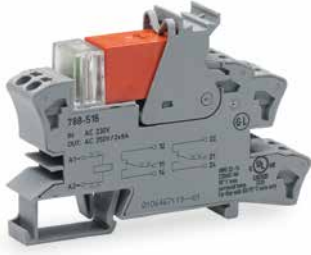


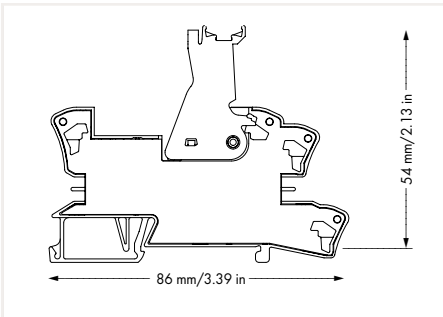
Relay Module 788 Series

1



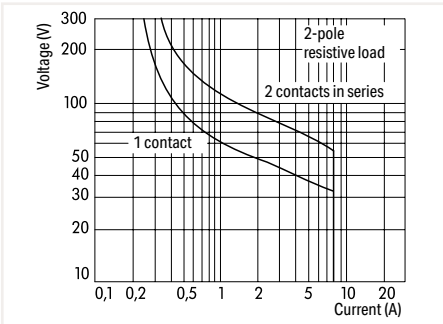
Relay Module; 2 changeover contacts; Limiting continuous current: 8 A; Status indicator: red; 15 mm wide

| U_N | I_N | Item No. | Pack. Unit |
|---------|--------|----------|------------|
| 24 VAC | 34 mA | 788-512 | 20 |
| 115 VAC | 8 mA | 788-515 | 20 |
| 230 VAC | 3.5 mA | 788-516 | 20 |



Note:

- Reinforced insulation between coil and contacts
- A separator plate (e.g., 209-191) must be used for voltages greater than 250 V between adjacent relay modules and for compliance with the reinforced insulation requirements.
- To protect the relay coils and contacts, inductive loads must be dampened with an effective protection circuit.



DC Load Limit Curve

Control Circuit

| | |
|---------------------|-------|
| Input voltage range | ±10 % |
|---------------------|-------|

Load Circuit

| | |
|---|--|
| Number of changeover/switchover contacts | 2 |
| Contact material | AgNi 90/10 |
| Limiting continuous current | 8 A |
| Inrush current (resistive) max. | 15 A (AC) / 4 s |
| Switching voltage (max.) | 250 VAC |
| Switching power (resistive) max. | 2000 VA (AC); DC see load limit curve |
| Switching capacity | AC 15: 3 A / 250 VAC; DC 13: 2 A / 24 VDC |
| Recommended minimum load | 12 V / 10 mA |
| Pull-in time (typ.) | 10 ms |
| Drop-out time (typ.) | 35 ms |
| Electrical life (NO; resistive load; 23 °C) | 10 x 10 ³ switching operations |
| Mechanical life | 5 x 10 ⁶ switching operations |
| Switching load with/without load (max.) | 6 min ⁻¹ / 1200 min ⁻¹ |

Signaling

| | |
|------------------|---------|
| Status indicator | Red LED |
|------------------|---------|

Safety and Protection

| | |
|---|-----------------------|
| Rated voltage | 250 V |
| Rated surge voltage | 4 kV |
| Pollution degree | 3 |
| Dielectric strength, control/load circuit (AC, 1 min) | 5 kV _{rms} |
| Dielectric strength, open contact (AC, 1 min) | 1 kV _{rms} |
| Dielectric strength, load/load circuit (AC, 1 min) | 2.5 kV _{rms} |
| Protection type | IP20 |

Connection Data

| | |
|-------------------------|--|
| Connection technology | Push-in CAGE CLAMP® |
| Solid conductor | 0.34 ... 2.5 mm ² / 22 ... 14 AWG |
| Fine-stranded conductor | 0.34 ... 2.5 mm ² / 22 ... 14 AWG |
| Strip length | 9 ... 10 mm / 0.35 ... 0.39 inch |

Physical Data

| | |
|------------------------------------|--------------------|
| Width | 15 mm / 0.591 inch |
| Height from upper-edge of DIN-rail | 54 mm / 2.126 inch |
| Depth | 86 mm / 3.386 inch |

Mechanical Data

| | |
|---------------|-------------|
| Mounting type | DIN-35 rail |
|---------------|-------------|

Material Data

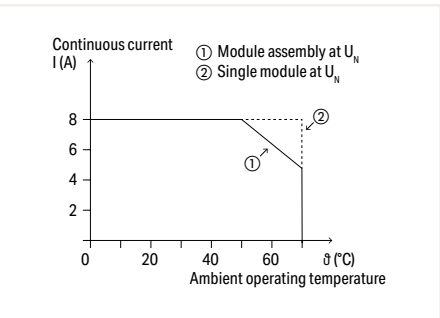
| | |
|--------|--------|
| Weight | 47.7 g |
|--------|--------|

Environmental Requirements

| | |
|---|----------------|
| Surrounding air temperature (operation at U_N) | -40 ... +70 °C |
| Surrounding air temperature (storage) | -40 ... +70 °C |
| Processing temperature | -25 ... +50 °C |

Standards and Specifications

| | |
|--------------------------|--|
| Standards/specifications | EN 61010-2-201; EN 61810-1; EN 61373; GL; UL 508 |
|--------------------------|--|



Current-Carrying Capacity Curve